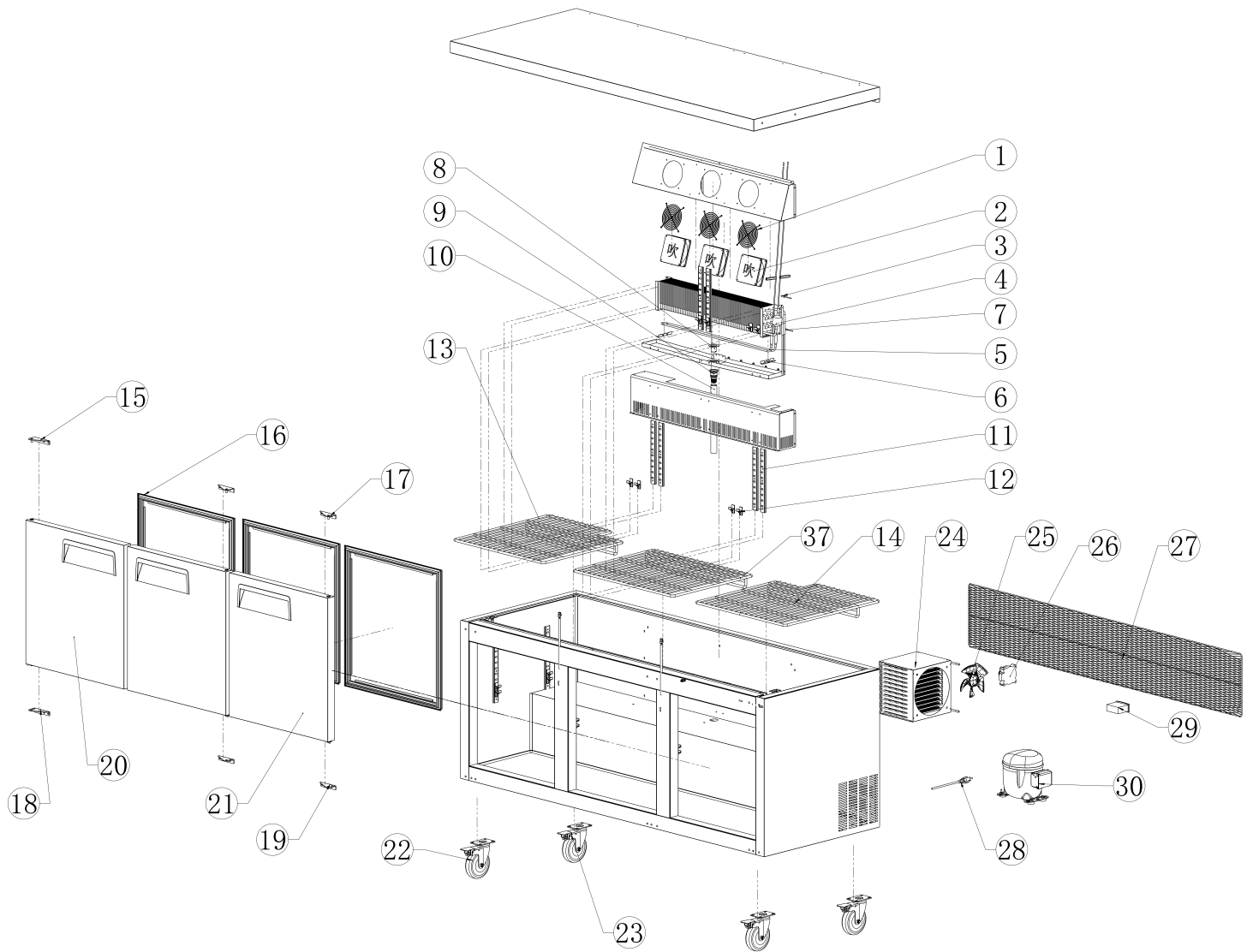


# Parts Breakdown

Model RE-TH-0016-HC 58018



# Parts Breakdown

## Model RE-TH-0016-HC 58018

Item No.	Description	Position	Item No.	Description	Position	Item No.	Description	Position
AP919	Fan Stainless Steel Mesh Cover for 58018	1	AP979	Shelf (Right) for 58018	14	AP938	Condenser (OD4.7x14520mm) for 58018	24
AP920	Evaporator Motor for 58018	2	AP952	Top Hinge (Left) for 58018	15	AP939	Fan Blade (EBM) for 58018	25
AP959	Evaporator for 58018	4	AP980	Gasket for 58018	16	AP940	Condenser Motor for 58018	26
AP925	Temperature Sensor Probe (White) for 58018	7	AP933	Top Hinge (Right) for 58018	17	AP983	Mesh Plate (-AU09) for 58018	27
AP926	Drainage Outlet - Top for 58018	8	AP954	Bottom Hinge (Left) for 58018	18	AP942	Power Cable (Black) for 58018	28
AP927	Drainage Outlet - Bottom for 58018	9	AP934	Bottom Hinge (Right) for 58018	19	AP945	Controller (Dixell) 115V/60Hz for 58018	29
AP928	Outside Drain Pipe for 58018	10	AP981	Doors Assembly (Left) for 58018	20	AN293	Compressor (NUT55NR; 115-127V~60Hz R290) for 58018	30
AP929	Ladder Strip for 58018	11	AP982	Doors Assembly (Right) for 58018	21	AP984	Shelf (Middle) for 58018	37
AP930	Grey K-Clip for 58018	12	AP936	Universal Wheel (with Brake) for 58018	22			
AP978	Shelf (Left) for 58018	13	AP937	Universal Wheel (without Brake) for 58018	23			